



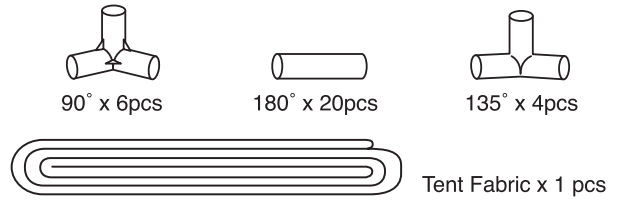


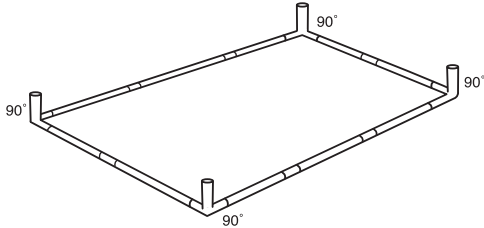
ASSEMBLY INSTRUCTIONS

Tent Assembly Pieces

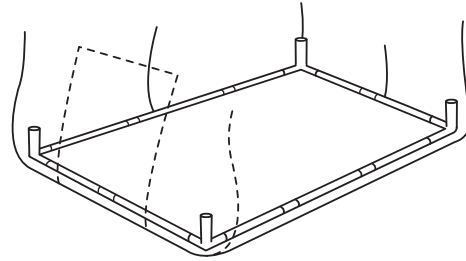
	A x 4pcs
	B x 15pcs
	C x 8pcs
	D x 8pcs



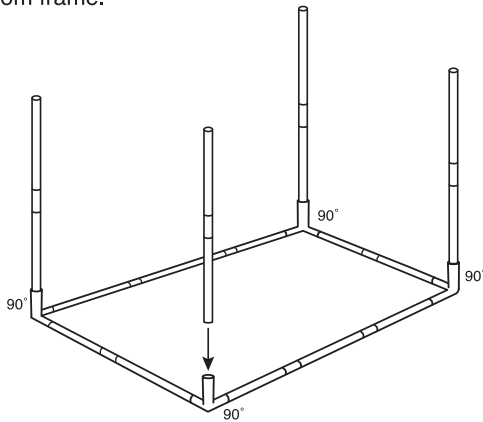
Step 1 - Assemble bottom frame using 90° angles.



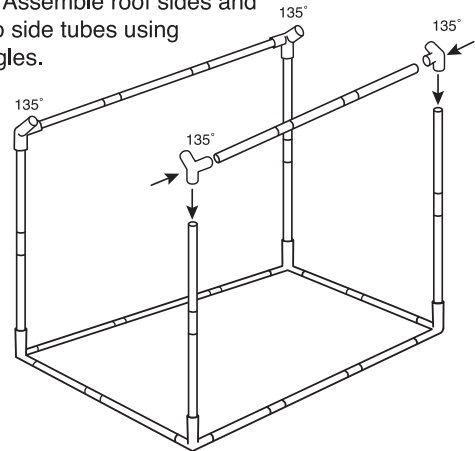
Step 2 - Place assembled bottom frame into the tent. Build frame inside fabric tent.



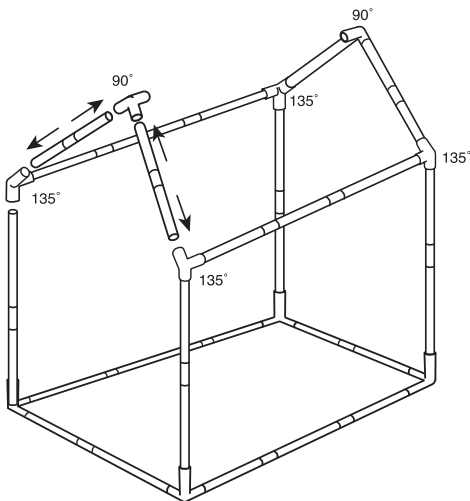
Step 3 - Assemble sides and insert into bottom frame.



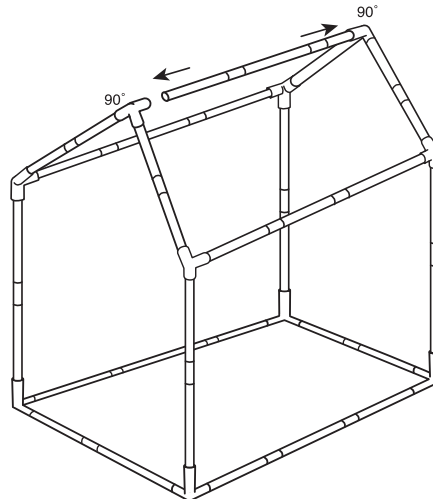
Step 4 - Assemble roof sides and attach to side tubes using 135° angles.



Step 5 - Assemble roof pitches and attach to roof sides using the 135° angles. Attach angles at top with 90° angles.



Step 6 - Assemble roof ridge and attach to top of roof pitches using the 90° angles.



Step 7 - Use internal ties to attached tent to frame.

